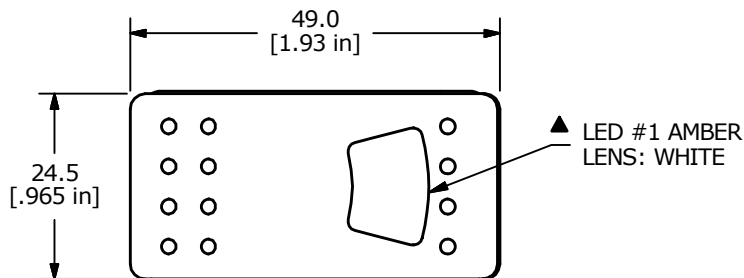


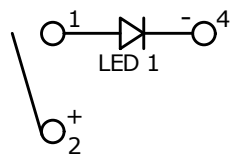
RECOMMENDED PANEL CUT-OUT

PANEL THICKNESS	X
1.0 - 1.5	37.3 ^{+0.0} / _{-0.1}
2.5 - 3.0	37.5 ^{+0.0} / _{-0.1}
3.5 - 4.5	37.7 ^{+0.0} / _{-0.1}

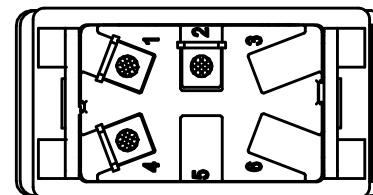
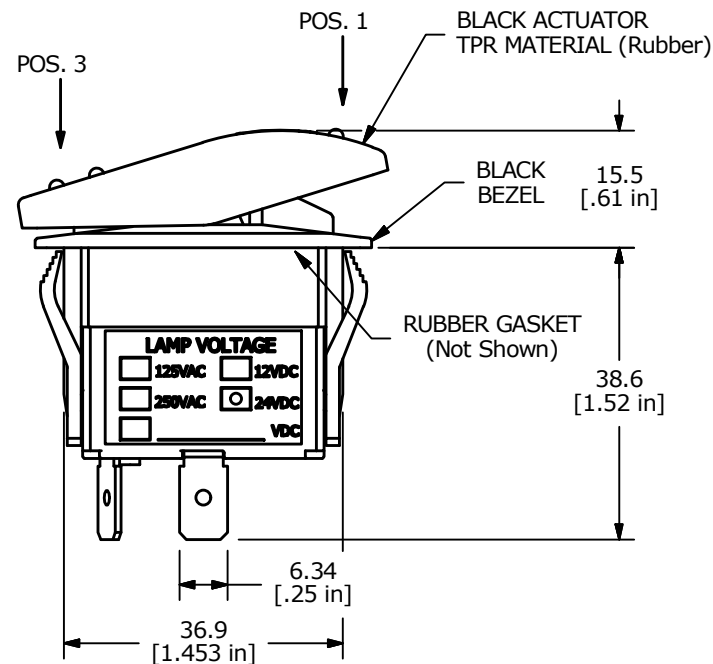
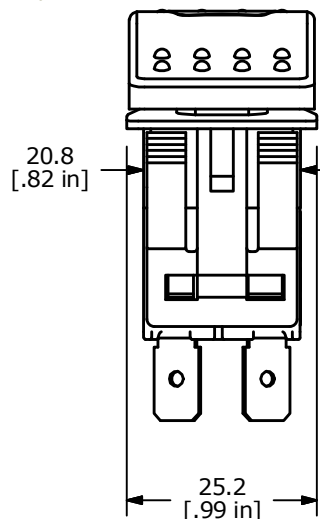


SWITCH FUNCTION		
POS. 1	POS. 2	POS. 3
(ON)	N/A	OFF
1-2	N/A	NONE

(ON) = MOMENTARY



CIRCUIT: SPST
(ON) - OFF



NOTES:

1. ALL DIMENSIONS IN MM [INCH]
2. GENERAL TOLERANCE: X.X = ±0.4
X.XX = ±0.25
3. TERM. NUMBERS FOR REF. ONLY
- ▲ 4. RATING: 16A @ 30VDC, 50/60 Hz, μT55 UL LISTED
5. ELECTRICAL LIFE: 10,000 CYCLES
6. MECHANICAL LIFE: 30,000 CYCLES
7. CONTACT RESISTANCE: <20 MILLI-OHMS INITIAL
8. DIELECTRIC STRENGTH: >1,500V AC 1MIN
9. INSULATION RESISTANCE: >100 MOHMS @ 500VDC
10. OPERATING TEMP: 0°C to 55°C
- ▲ 11. LED: AMBER, 24VDC
12. ▲ DENOTES CRITICAL PARAMETER.
13. 2011/65/EU (ROHS) COMPLIANT



A	22771	New Release	3/24/17	MW
REV	PCR NO	DESCRIPTION	DATE	BY

TITLE R714FE1-SXXX3BDANX				
SCALE 1:1	DATE 3/23/2017	DR MW	DWG C700037	REV A

THE INFORMATION CONTAINED IN THIS DOCUMENT IS PROPRIETARY TO E-SWITCH AND IS NOT TO BE COPIED OR TRANSFERRED